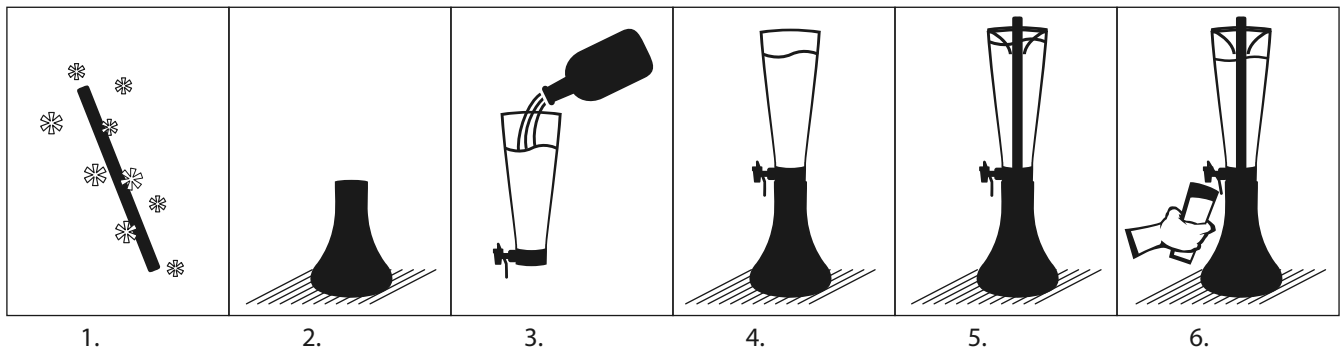


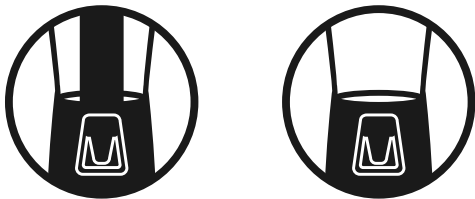
How to use the HOPR™

1. Freeze the stainless steel Super Chill Rod for at least 4 hours.
2. Place the base on the table.
3. Fill the HOPR with beverage of choice.
4. Using two hands carry the HOPR Funnel to the table and place in the base.
(DO NOT carry Hopr from the spigot)
5. Position lid and insert Super Chill Rod. There may be cracking noises.
(DO NOT be alarmed this is normal)
6. To dispense lean glass into the spigot tap.



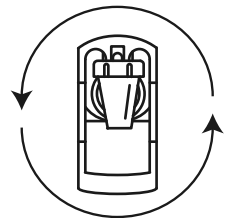
Note:

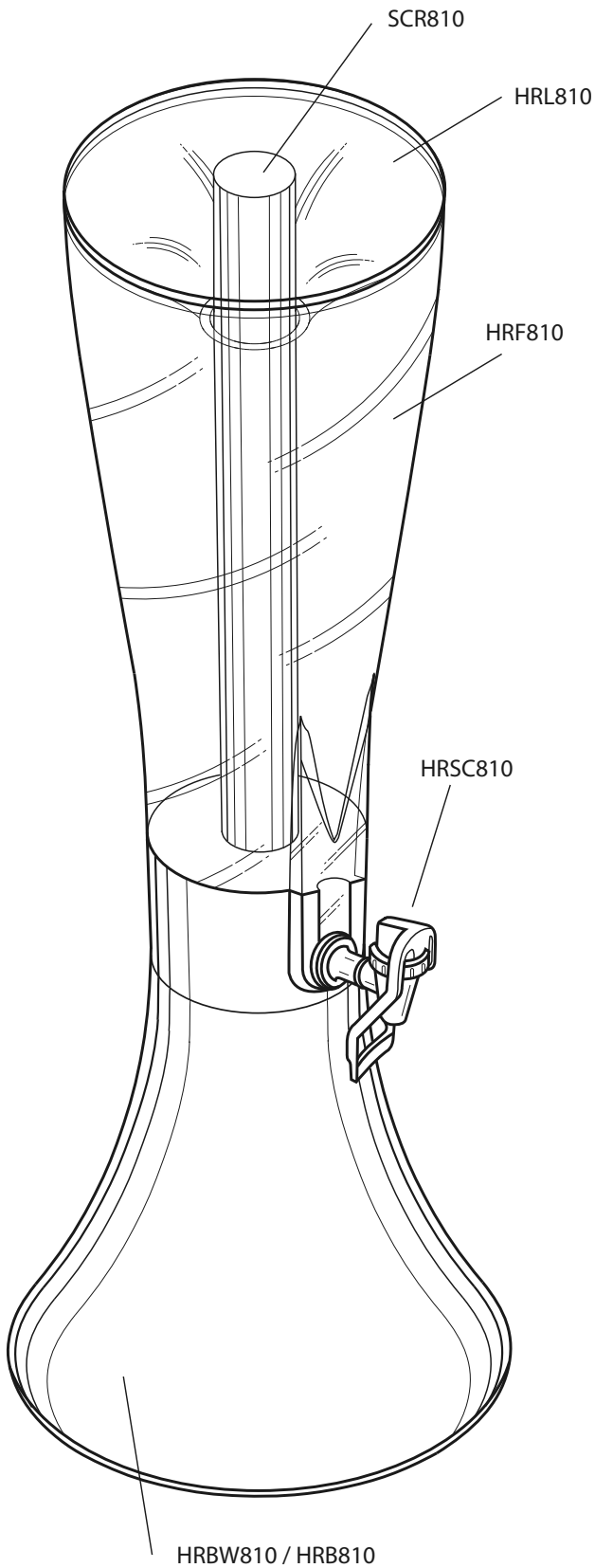
Icons printed on the front and side of the HOPR funnel indicate the capacity when using the HOPR with or without the Super Chill Rod.



Taking care of your HOPR™

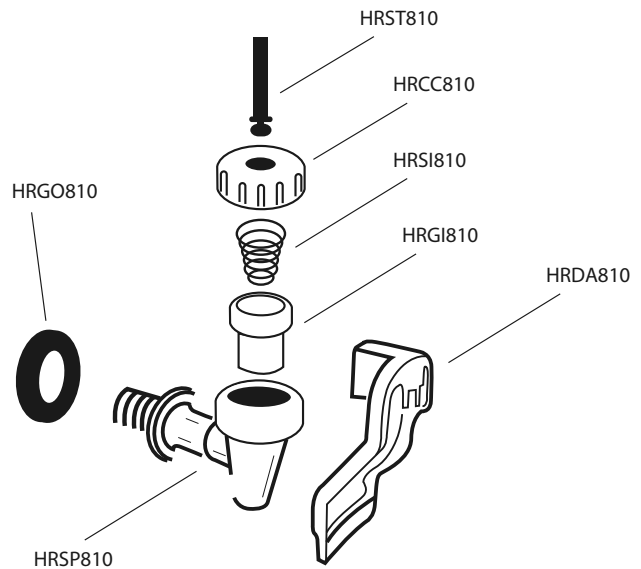
- Rinse HOPR, Super Chill Rod, and spigot between uses.
- When you are done using the HOPR for the day remove spigot by unscrewing and wash unit as you would any other dispenser.
- Avoid using abrasive tools or chemicals as these may scratch the HOPR.
- If you have artwork on your HOPR do not wash the HOPR in water exceeding 140 °F





HOPR™ Replacement Parts

Part Number	Description
HRF810	HOPR funnel
HRBW810	Base with weight cup
HRB810	Base without weight cup
HRL810	Lid
SCR810	Super chill rod
HRSC810	Spigot assembly
HRCC810	Chrome plated spigot cap
HRST810	Spigot internal valve stem
HRGO810	Outer gasket
HRDA810	Dispenser arm
HRSP810	Spigot port
HRSI810	Inner spring
HRGI810	Inner gasket



See back for instructions on how to use the HOPR >>